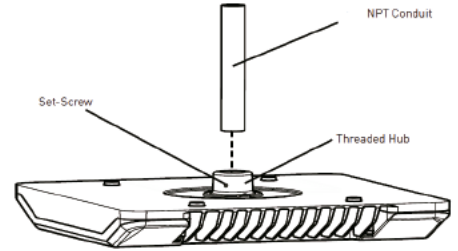


LED CANOPY LIGHT (EXPLOSION-PROOF)



FEATURES

- IP68 & IK08 robust design with explosion-proof mainly intended for gas station, garage use
- High performance Philips 3030SMD with 130lm/w
- High quality Meanwell power driver and SOSEN driver option
- High thermal conductive die-casting AL housing
- Built-in light module, easy maintenance, low maintenance cost
- Decent design with white and black color housing optional
- Direct surface mount and pendant mount installation optional



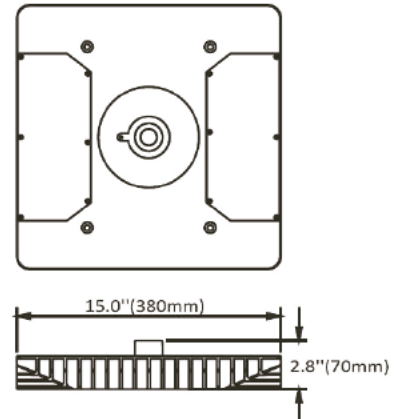
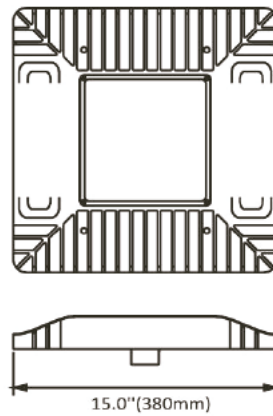
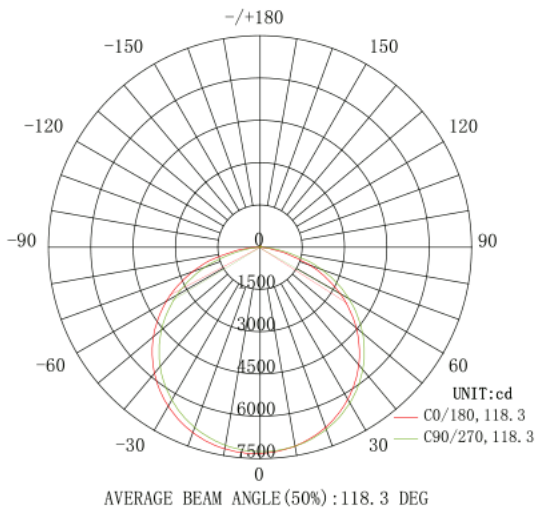
Pendant mount Installation

APPLICATIONS

- Gas station, garage, warehouse, etc

SIZE in mm

LIGHT DISTRIBUTION CURVE



Model No.	Power	Input Voltage	Product size	Lumen Flux	Equivalence	IP rate	Material	Product weight	Packing CTN (1pc/CTN)
DL-CPE-100W	100W	AC100-277V 50/60Hz	380x380x70mm (15inches)	13,000LM ±5%	200W HPS	IP68	AL housing + PC cover	7.2kg	450*450*150mm (8.2kg)
DL-CPE-150W	150W	AC100-277V 50/60Hz	380x380x70mm (15inches)	19,500LM ±5%	400W HPS	IP68	AL housing + PC cover	7.5kg	450*450*150mm (8.5kg)
DL-CPE-200W	200W	AC100-277V 50/60Hz	380x380x70mm (15inches)	26,000LM ±5%	400W HPS	IP68	AL housing + PC cover	7.8kg	450*450*150mm (8.5kg)

CCT: 3000K/4000K/5000K /5700K