

Surface Mount Round COB Downlight



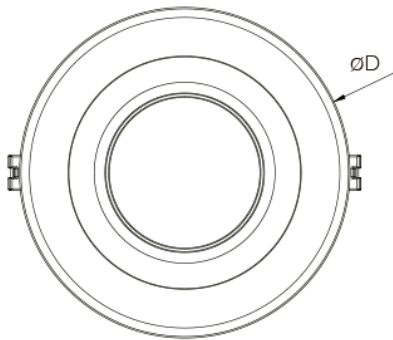
FEATURES

- Stylish sleek round design for surface mounted installation
- High performance CITIZEN COB
- Uniform & smooth lighting effect
- High reliable UL approved power driver
- Black & white housing optional
- Dimming option: Triac, 0-10V

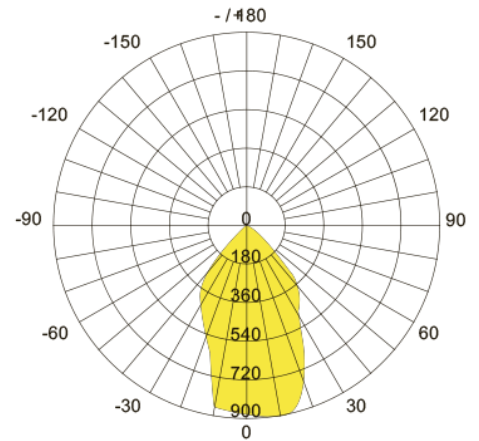
APPLICATIONS

- Shopping mall, retail store, hotel, convention center, etc.

SIZE in mm



LIGHT DISTRIBUTION CURVE



Item No.	Power	Input Voltage	Lumen Flux	Housing	Product weight	Product size (D*H)	Packing CTN size
DL- SDR-9W	9W	AC100-277V	700LM±5%	Die-casting Al	0.47kg	ø117x115mm	550*550*550mm (64pcs/CTN)
DL- SDR-15W	15W	AC100-277V	1,050LM±5%	Die-casting Al	0.61kg	ø138x115mm	470*470*530mm (36pcs/CTN)
DL- SDR-20W	20W	AC100-277V	1,600LM±5%	Die-casting Al	0.85kg	ø170x140mm	550*560*480mm (27pcs/CTN)
DL- SDR-30W	30W	AC100-277V	2,400LM±5%	Die-casting Al	1.17kg	ø200x140mm	440*440*480mm (12pcs/CTN)

CCT: 3000K/4000K/6000K