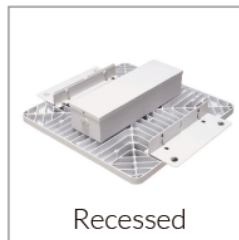


IP65 LED Canopy Light



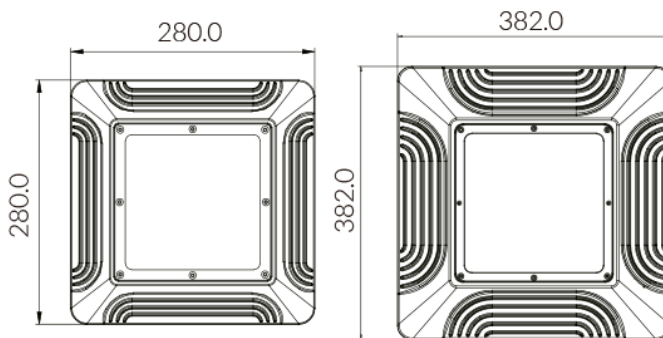
FEATURES

- Robust design with polyester powder-coated finish, rust and corrosion proof
- High performance 2835SMD with 130lm/w
- High quality Meanwell power driver and SOSEN driver option
- High thermal conductive die-casting AL housing
- Built-in light module, easy maintenance, low maintenance cost
- Decent white housing
- 3 Type of installations for different application

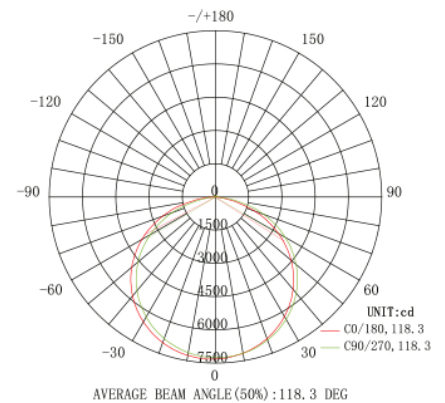
APPLICATIONS

- Gas station, garage, warehouse, ect

SIZE in mm



LIGHT DISTRIBUTION CURVE



Item No.	Power	Input Voltage	Lumen Flux	Equivalence	Product weight	Material	Product Size
DL-CNPE-60W	60W	AC100-277V	7,500LM±5%	100W HPS	3.8kg	AL housing+ Tempered glass cover	280x280x97mm (surface mount version) 280x280x107mm (recessed version) 280x280x250mm (ceiling mount version)
DL-CNPE-80W	80W	AC100-277V	10,400LM±5%	100W HPS	4kg		
DL-CNPE-100W	100W	AC100-277V	13,000LM±5%	200W HPS	5.2kg	AL housing+ Tempered glass cover	382x382x112mm (surface mount version) 382x382x115mm (recessed version) 382x382x260mm (ceiling mount version)
DL-CNPE-150W	150W	AC100-277V	19,500LM±5%	400W HPS	5.5kg		

CCT: 3000K/4000K/5000K/5700K